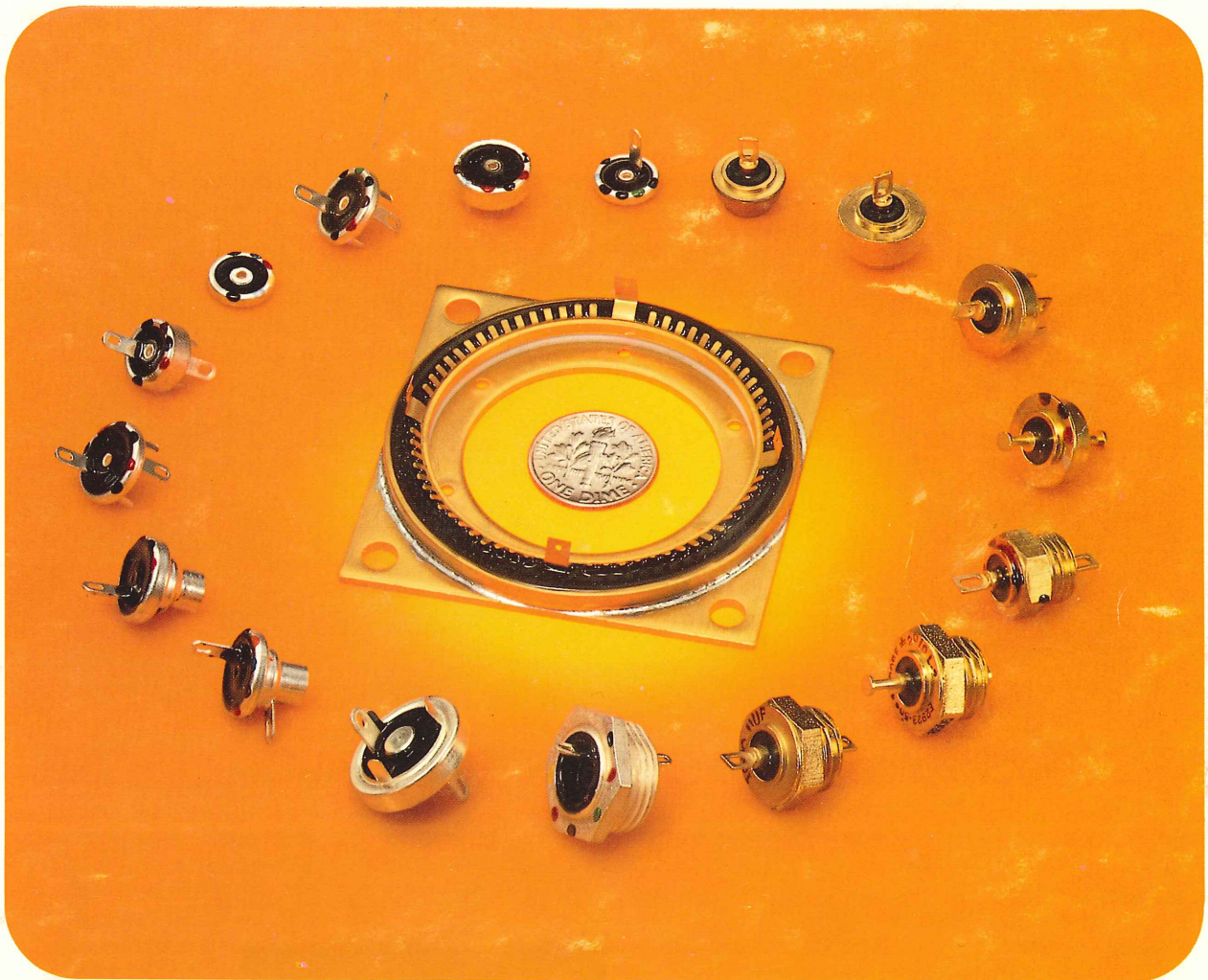


BUTTON MICA CAPACITORS

COMMERCIAL AND MIL-C-10950 TYPES

CATALOG NO. 60-11



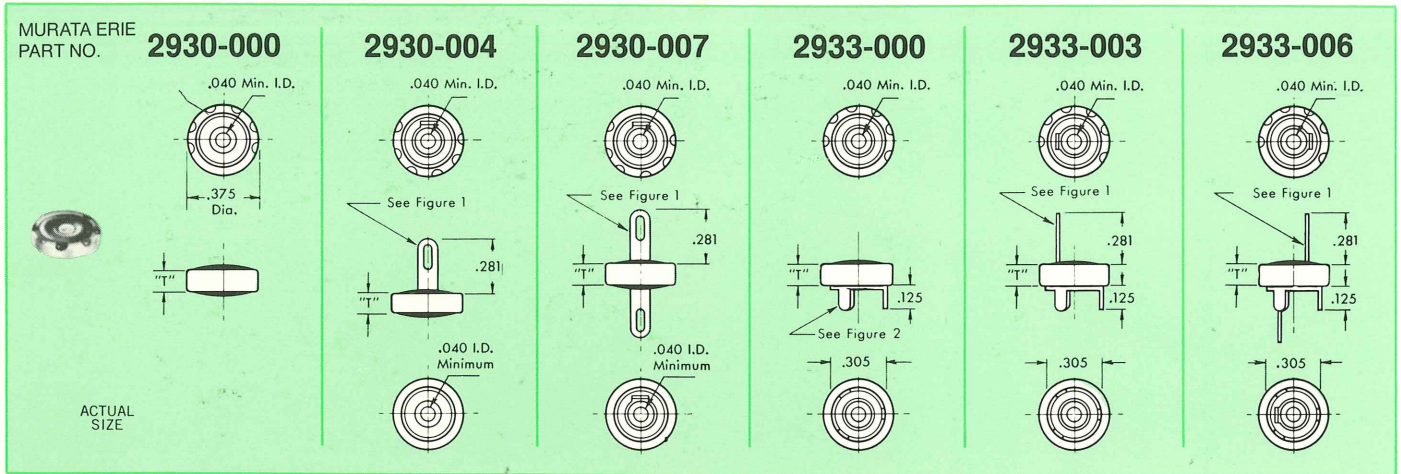
 **Erie
Specialty
Products**

645 West 11th Street
Erie, Pennsylvania 16512
Telex: 914-437
FAX: 814-452-4050

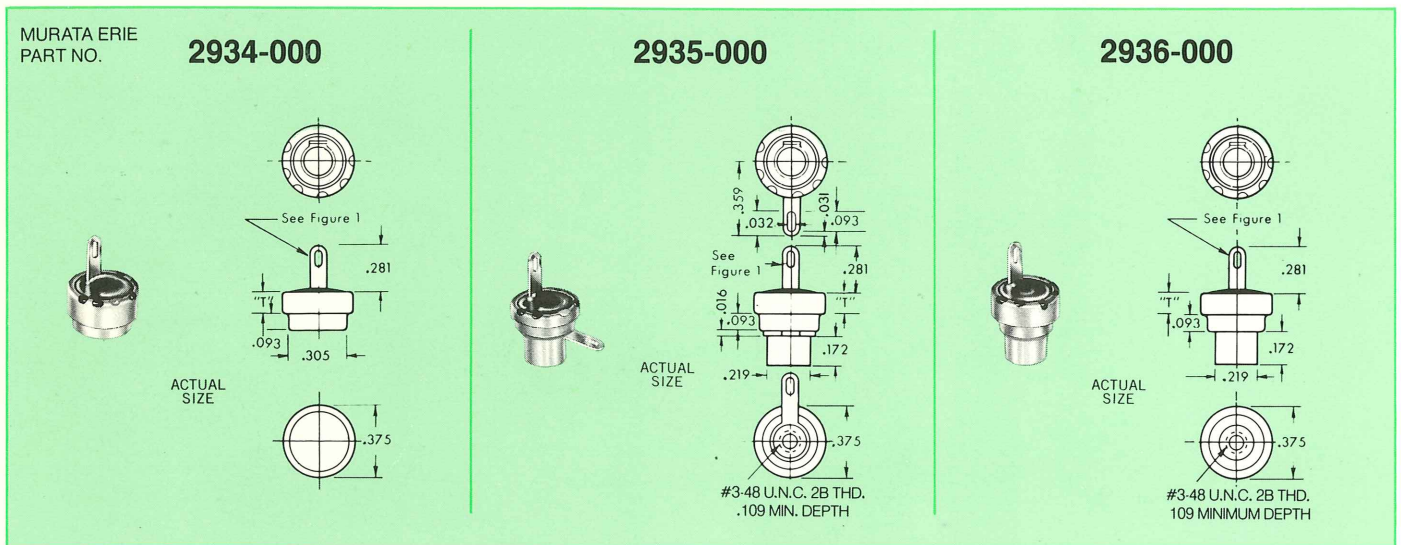
MINIATURIZED 3/8" DIAMETER RESIN SEALED



FEED THRU TYPES



STAND OFF TYPES



SPECIFICATIONS

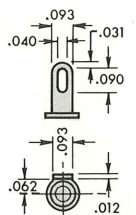
- Capacitance: 5 pF thru 1500 pF
- Capacitance Tolerance: $\pm 2\%$ or 1 pF, whichever is greater; $\pm 5\%$; $\pm 10\%$; $\pm 20\%$
- Working Voltage: 250 VDC
- Operating Temperature Range: -55°C. to $+85^{\circ}\text{C.}$
- Dielectric Strength (Flash Test): 2.5 times working voltage
- Life Test: 500 VDC
- Color Code: Standard six dot color code
- Qualification Specification: Murata Erie Specification 600

Capacitance (pF)	Rim Thickness "T"
5-250	.075
251-750	.105
751-1,500	.165

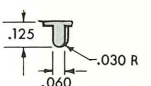
ORDERING DATA

Specify:
Erie Specialty Products Part Number, Capacitance, and Capacitance Tolerance.

TERMINAL DETAIL FIG. 1



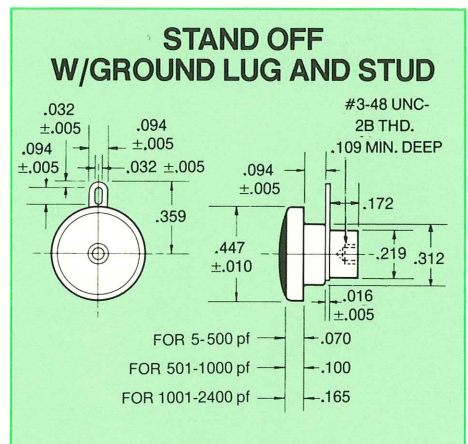
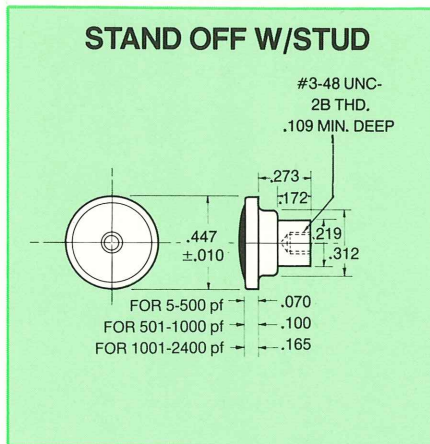
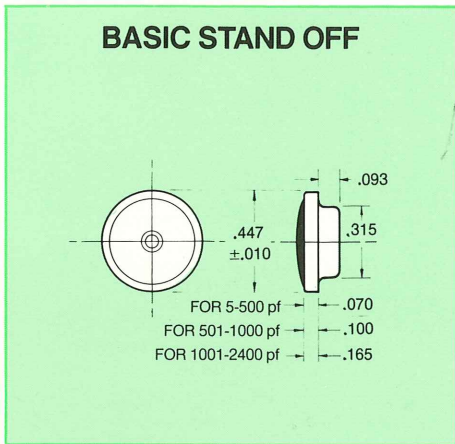
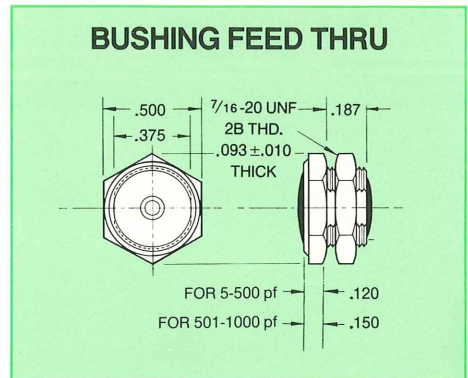
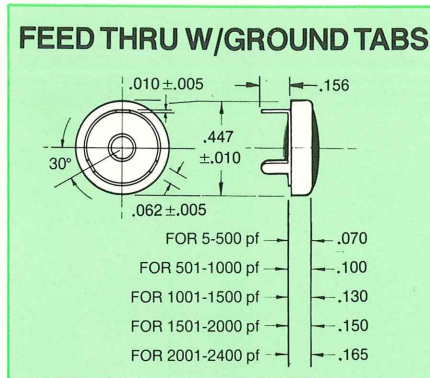
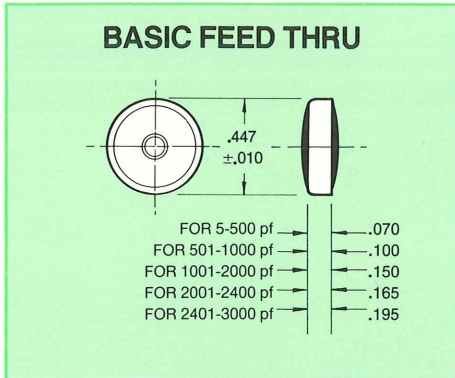
TAB DETAIL FIG. 2



ALL DIMENSIONS IN INCHES

TOLERANCE $\pm .015$ UNLESS OTHERWISE SPECIFIED

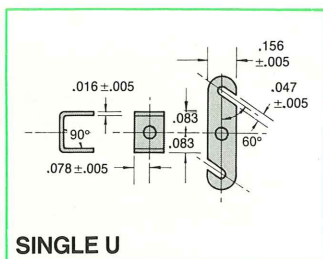
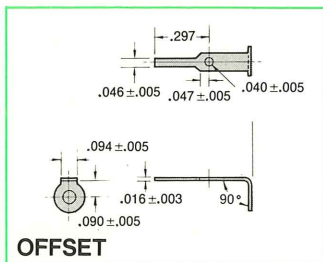
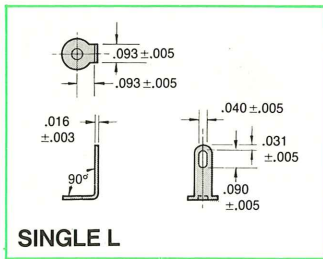
COMMERCIAL TYPES .447" DIAMETER RESIN SEALED



TERMINAL DETAIL

Resin Sealed Button-Mica capacitors are supplied in feed thru and stand-off styles with capacitance ranges for the .447" dia. buttons of 5-2400pF, for the .624" dia. buttons of 1000-5400pF, and for the .651" dia. buttons of 1000-8100pF. These capacitors have an operating temperature range of -55°C. to +85°C. at 500 WVDC or 350 WVAC. Available capacitance tolerances are ± 2% or ± 1pF (whichever is greater), ± 5%, ± 10%, and ± 20%. Temperature coefficient of -20 to +100 ppm/°C. is standard, unless otherwise specified.

Commercial type button micas meet the requirements of Murata Erie specification 600. Military styles meet the requirements of MIL-C-10950.

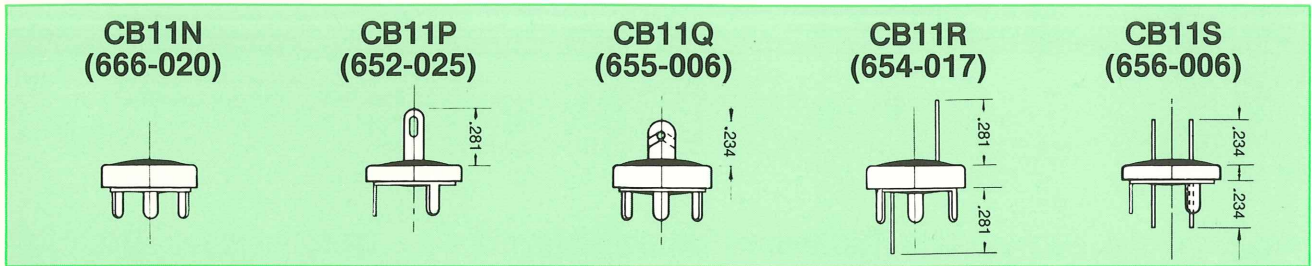


CASE STYLES VS. TERMINAL STYLES						
SINGLE L	651-001	652-005	661-003	650-011	662-001	669-011
DOUBLE L	653-002	654-006	 	 	 	669-013
SINGLE U	 	655-010	661-023	660-005	660-003	
DOUBLE U	656-006	 	 	 	 	
ROD	 	 	661-022	657-001	664-001	
OFFSET	 	 	 	658-007	665-001	
EYELET	666-004	666-003	 	 	 	

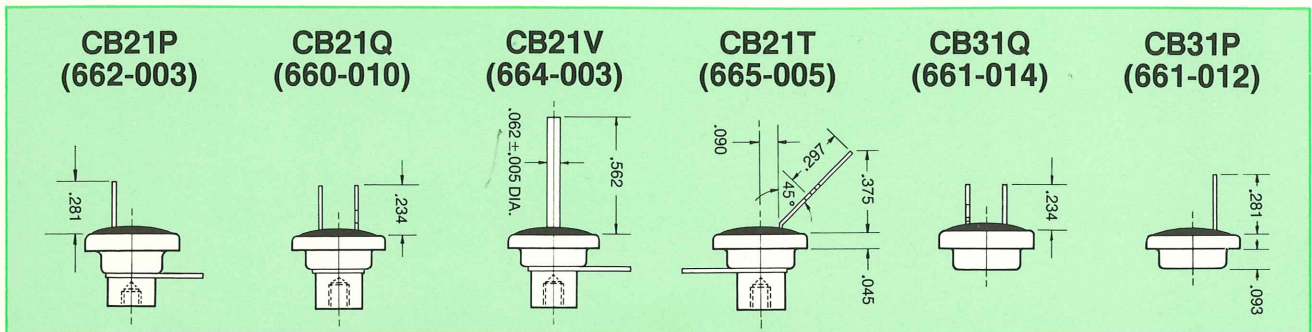
INSTRUCTIONS FOR USE OF CHART

- The intersection of case style and terminal determines capacitor style.
- Capacitor styles represented by open blocks can be made but are not standard.
- Capacitor styles represented by blocks that are crossed out cannot be manufactured.
- If other terminal case combinations are required contact Murata Erie.

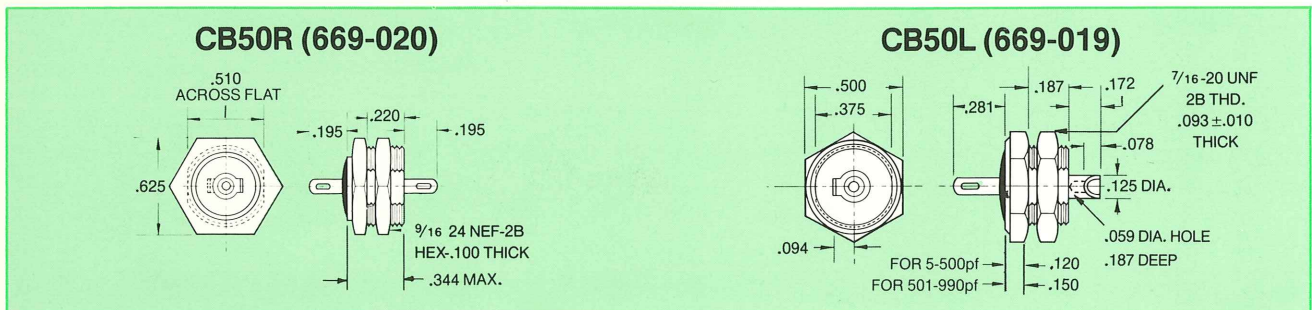
CB11 FEED THRU



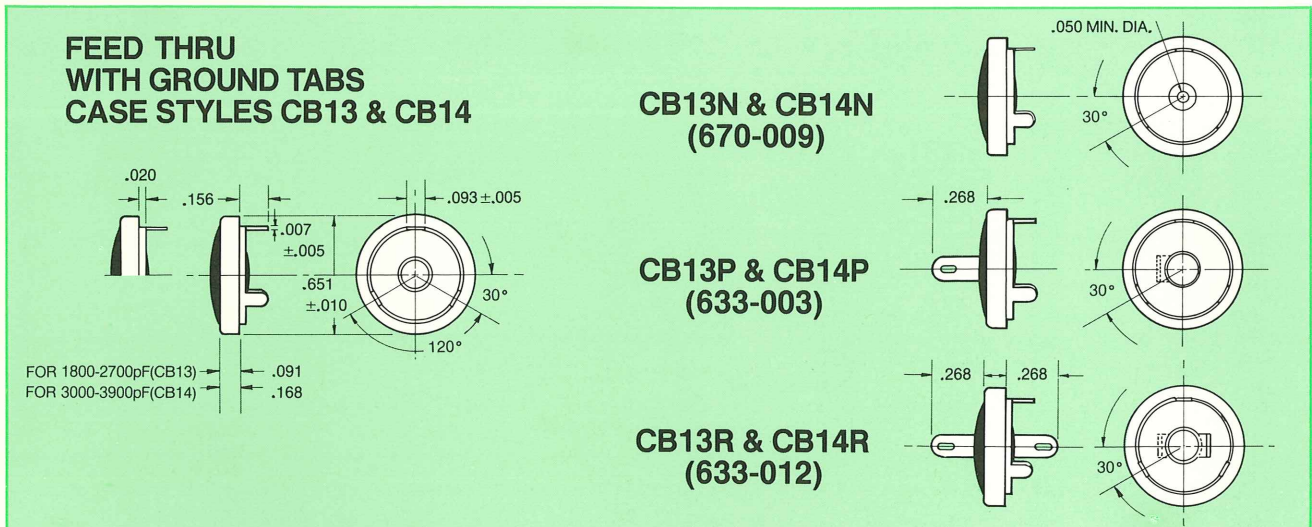
CB21, CB31 STAND OFFS



CB50 BUSHING FEED THRU



CB13 AND CB14 FEED THRU



"GOLD SEAL" CAPACITORS

HERMETICALLY SEALED

HIGH TEMPERATURE

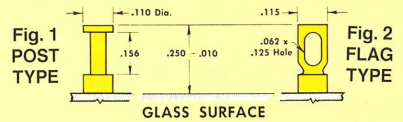
HIGH FREQUENCY



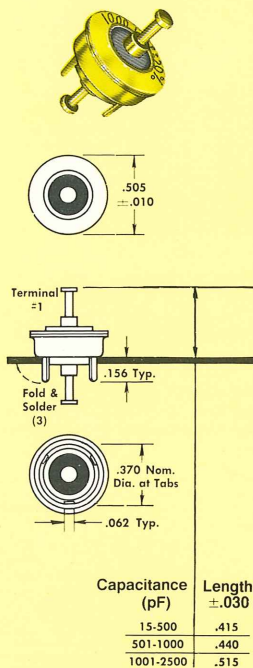
The Gold Seal mica capacitor offers the ultimate in hermetically sealed high frequency design. Mica sheets connected in parallel are encased in a metal shell with a high potential terminal through the center of the stack. This discoidal design permits the current to fan out in a 360° pattern and provides the shortest possible RF current path. The closure is welded to

provide a hermetic seal. Gold plating assures excellent conductivity and high leakage resistance even under the most severe environmental conditions. These capacitors are rated at 500 VDC over a temperature range of -55°C to 200°C. Several standard variations are fully qualified to MIL-C-10950.

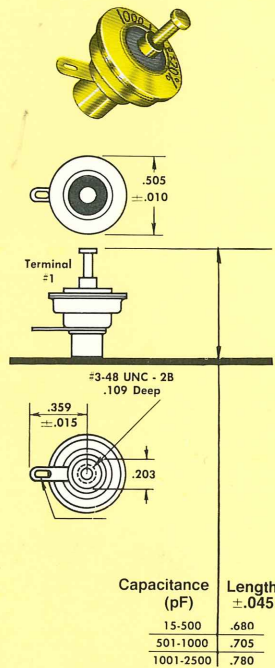
STANDARD TERMINAL STYLES: The two styles shown — the flag type with an elongated hole and the post type for wire wrap and solder — are standard terminations for all Gold Seals. Custom configurations and lengths can be supplied as required.



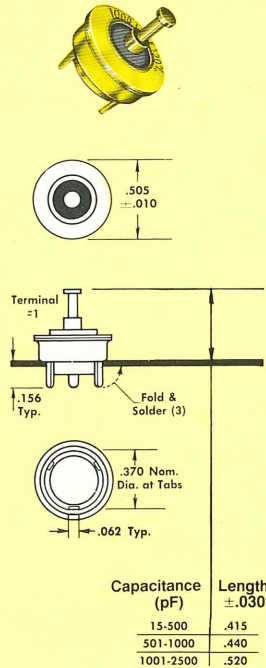
2921-000



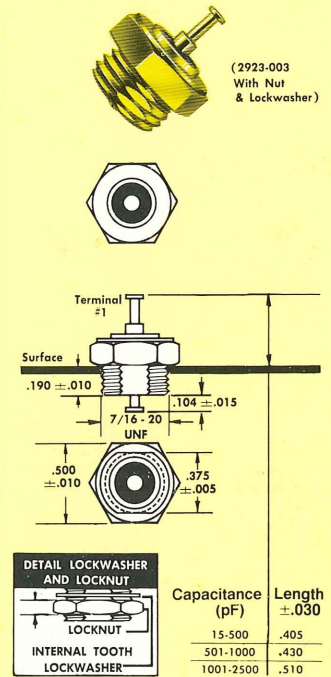
2922-000



2922-013



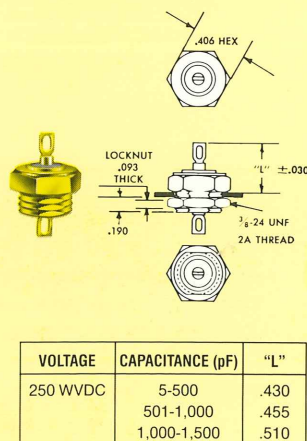
2923-004



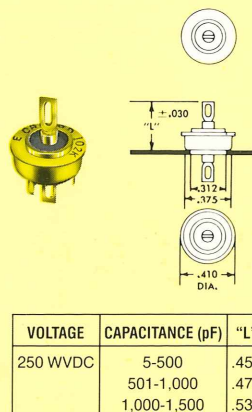
MINIATURIZED "GOLD SEAL" CAPACITORS

A smaller version of the standard hermetically sealed button mica capacitors is also offered by Murata Erie. Construction of this type is identical to the conventional "Gold Seal" except for the outside mounting diameter which has been reduced to .312".

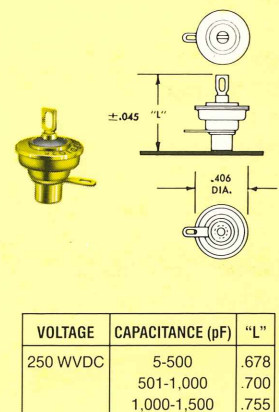
2953-000



2951-000



2952-000

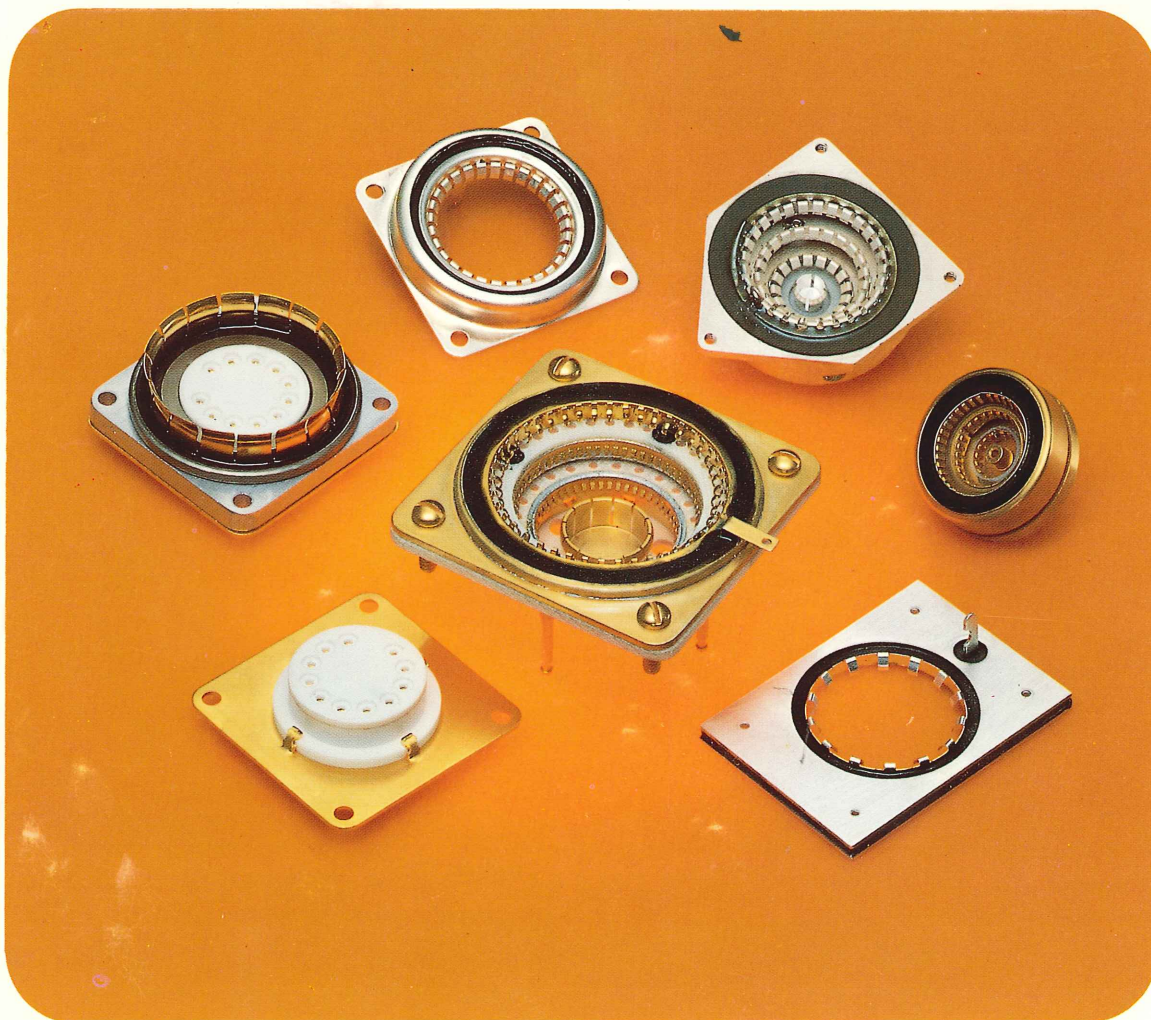


UHF BYPASS AND COUPLING SOCKET SYSTEMS



Bypass capacitors for use with concentric ring vacuum tubes are now available from Murata Erie. The evolution of successful designs to satisfy industry needs was achieved by incorporating the inherent features of stable mica dielectrics. Unique Murata Erie silvered mica dielectric capacitors form an integral part of the vacuum tube socket and provide outstanding UHF/VHF performance. Many designs and

configurations are offered as standard, however, custom variations can be created to suit specific needs. All inquiries for special designs should be accompanied by a sketch or drawing with reasonably detailed electrical and environmental parameters. Requests for further information and/or quotations should be directed to the address below.



645 West 11th Street
Erie, Pennsylvania 16512
Telex: 914-437
FAX: 814-452-4050