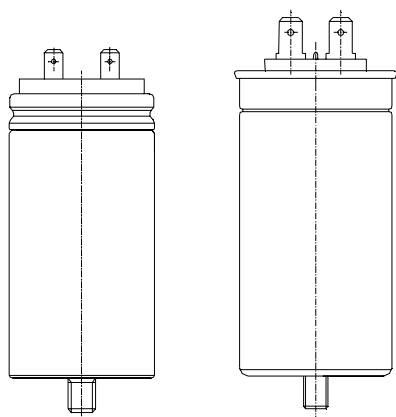


MKP Series  
 ALUMINIUM CASE CAPACITORS  
 P.F.C. and FILTER APPLICATIONS  
 SAFETY DEVICE (FPU)

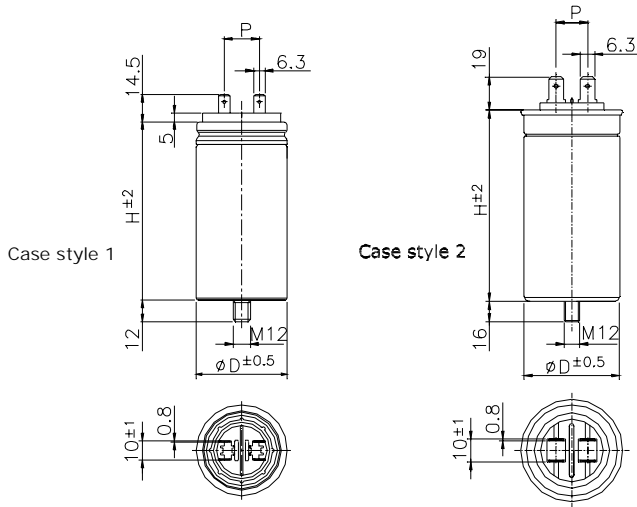


Reference standards :  
 IEC 60831-1, IEC 60831-2 – IMQ APPROVED  
 PROTECTED 10000 AFC -25 ... +70°C  
 UL 810 APPROVED (\*)

Technical data

Service:	Continuous
Operating temperature:	-25 ... +55°C
Storage temperature	-40 ... +90°C
Nominal Voltage Vn(A.C.):	320; 415 Vac (230, 400, 450; 525 Vac on request)
Nominal frequency (Hz.):	50 – 60 Hz.
Max dv/dt:	30 V/μs (standard execution)
Max admissible tension:	temporarily 1.1 times the nominal voltage 8 hours/24 hours
Life expectancy at nominal voltage	50.000 hours with (ΔC/C>5%) at the operating temperature
Max dissipation Factor (TGδ):	10x10 <sup>-4</sup> at 20°C and 50 Hz.
Tolerance (ΔC):	-5 ... +15%
Assembling	Whatever position
Case:	Aluminum case
Dielectric:	Metallized polypropylene
<b>Voltage tests</b>	
Between terminals	2,15 Vn for 2 s
Between terminals and case	3600 V for 2 s
<b>Air distance</b>	
Between live parts	≥ 5 mm
Between live parts and case	≥ 6 mm
Vibration test:	IEC 68-2-6
Safety:	Overpressure safety device

MKP Series  
ALUMINIUM CASE CAPACITORS  
P.F.C. and FILTER APPLICATIONS  
SAFETY DEVICE (FPU)



Reference standards :  
IEC 60831-1, IEC 60831-2 - IMQ APPROVED  
PROTECTED 10000 AFC -25 ... +70°C  
UL 810 APPROVED (\*)

Test voltage table

U <sub>RMS</sub> Vac	Test Voltage Vac (2s)	U <sub>RMS</sub> max Vac
320	640	375
415	830	460

STANDARD SERIES

Code	C μF	Q kvar	Un Vdc	U <sub>RMS</sub> Vac	dv/dt V/μs	I <sub>PKR</sub> A	I <sub>RMS</sub> A	Case			Style
								D	H	P	
*C930ZG35100ZA0X	10	0.3	400	320	25	250	1.3	40	98	13.4	1
*C930ZG35300ZA0X	30	1.0	400	320	25	750	3.9	40	98	13.4	1
*C930ZG35500ZA0X	50	1.6	400	320	25	1250	4.5	60	98	18.8	1
*C930ZG35600ZA0X	60	1.9	400	320	25	1500	7.8	60	98	18.8	1
*C930ZG35700ZA0X	70	2.3	400	320	25	1750	9.1	60	98	18.8	1
*C930ZG35800ZA0X	80	2.6	400	320	25	2000	10.4	60	131	18.8	1
*C930ZG35900ZA0X	90	2.9	400	320	25	2250	11.7	60	131	18.8	1
*C930ZG36100ZA0X	100	3.2	400	320	25	2500	13.0	60	131	18.8	1
*C931ZG35100ZA0X	10	0.5	600	415	25	250	1.7	40	78	13.4	1
*C931ZG35300ZA0X	30	1.6	600	415	25	750	5.0	60	98	18.8	1
*C931ZG35500ZA0X	50	2.7	600	415	25	1250	8.5	60	131	18.8	1
*C931ZG35600ZA0X	60	3.2	600	415	25	1500	10.1	60	131	18.8	1
C931ZG35700ZA0X	70	3.8	600	415	25	1750	11.9	75	150	15.0	2
C931ZG35800ZA0X	80	4.3	600	415	25	2000	13.5	75	150	15.0	2
C931ZG35900ZA0X	90	4.9	600	415	25	2250	15.2	75	150	15.0	2
C931ZG36100ZA0X	100	5.5	600	415	25	2500	16.9	75	150	15.0	2

HIGH CURRENT SERIES

Code	C μF	Q kvar	Un Vdc	U <sub>RMS</sub> Vac	dv/dt V/μs	I <sub>PKR</sub> A	I <sub>RMS</sub> A	Case			Style
								D	H	P	
*C930ZG35300II0X	30	1.0	400	320	37	1125	7.8	55	98	18.8	1
*C930ZG35500II0X	50	1.6	400	320	37	1875	9.0	55	98	18.8	1
*C930ZG35600II0X	60	1.9	400	320	37	2250	15.6	55	98	18.8	1
*C930ZG36100II0X	100	3.2	400	320	35	3500	21.0	60	131	18.8	1
*C931ZG35300II0X	30	1.6	600	415	37	1125	10.0	50	98	18.8	1
*C931ZG35500II0X	50	2.7	600	415	37	1875	17.0	55	131	18.8	1
*C931ZG35600II0X	60	3.2	600	415	37	2250	20.2	60	131	18.8	1
C931ZG36100II0X	100	5.5	600	415	35	3500	21.0	75	131	15.0	2