

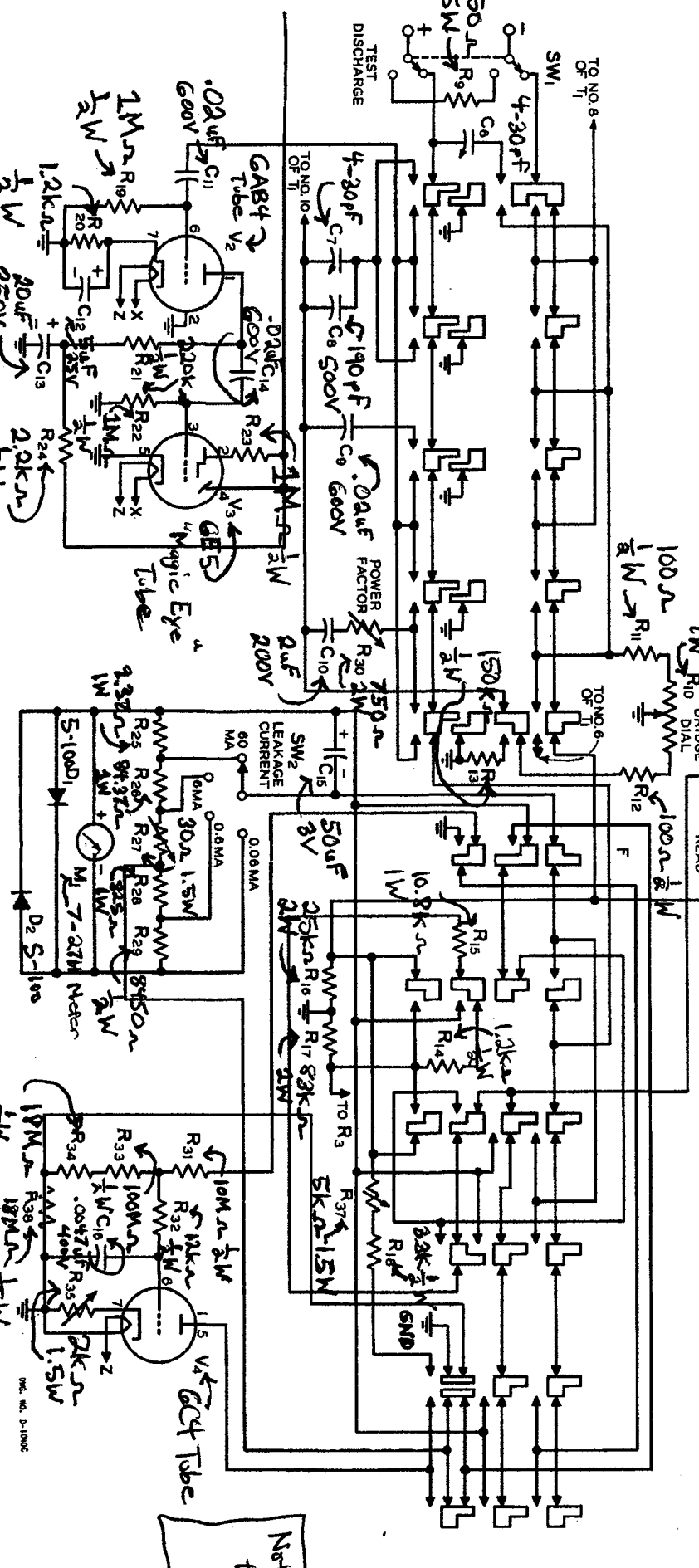
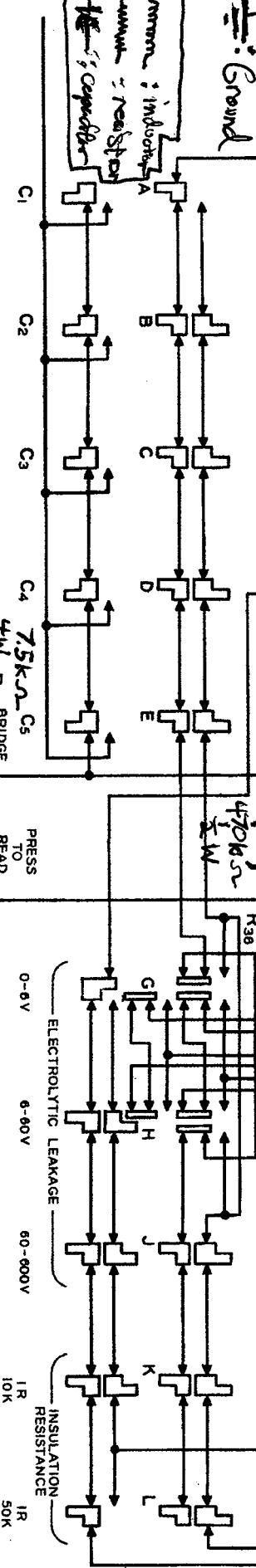


# TO-6A TEL-OHMIKE<sup>®</sup> CAPACITOR ANALYZER

$\uparrow$  : trimmer cap  $\downarrow$  : adjustable resistor

Ground

inductor  
resistor  
capacitor



WIRING DIAGRAM ON MODEL TO-6AS ONLY  
NIP

Hallman Labs 5-12-18

SW4 SHOWN IN RELEASED POSITION

Note: R18 is the shunt resistor