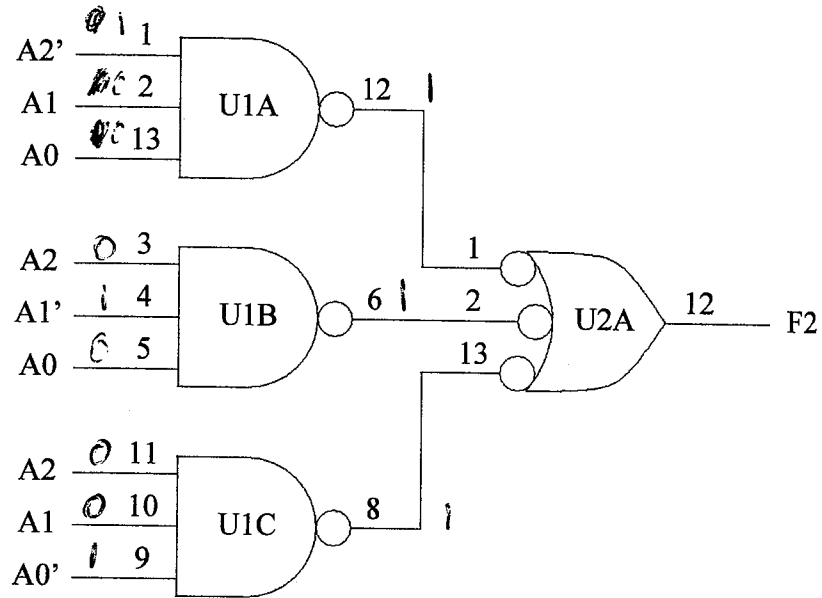


4.3 Circuit F2



| | | PWR | GND |
|----|------|-----|-----|
| U1 | 7410 | 14 | 7 |
| U2 | 7410 | 14 | 7 |

Figure 8: Circuit F2.

